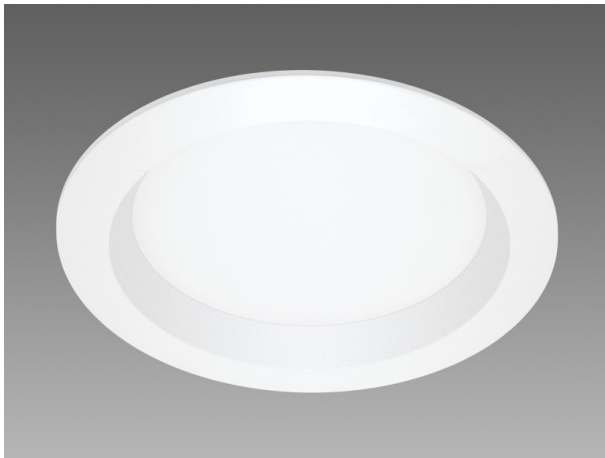


ENERGY

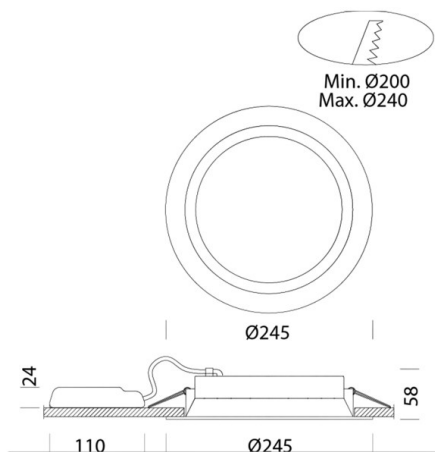
121-2217220100

ENERGY 2245 RECESSED DOWNLIGHT made of aluminium, white, light output direct, with converter, max. 400/500/525/550/600/700/725mA, dimmability: not dimmable, IP44/IP20 adjustable by means of DIP-SWITCH converter



DIP-SWITCH Einstellungen 121-2217220139				
I out	W tot	Kelvin	Lumen	CRI
400	14	3000K	1800	CRI 90
500	18	3000K	2200	CRI 90
525	19	3000K	2310	CRI 90
550	20	3000K	2430	CRI 90
600	22	3000K	2650	CRI 90
700	25	3000K	3083	CRI 90
725	26	3000K	3193	CRI 90

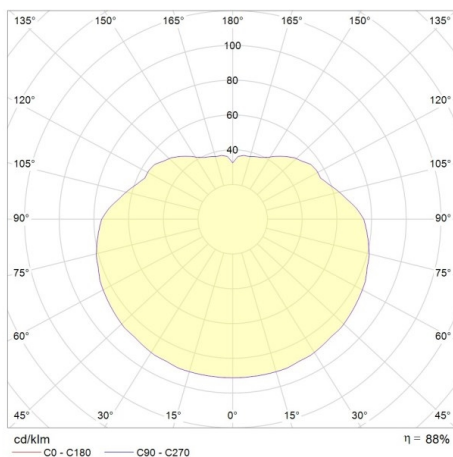
DRAWING



TECHNICAL DETAILS

System perform. [W]	14/18/19/20/22/25/26
Bulb type	LED
Luminous flux [lm]	1926/2385/2503/2626/2884/3342/3461
Current sec. [mA]	400/500/525/550/600/700/725
Colour temp. [K]	4000K
CRI	95
Converter	with converter
Dimming	not dimmable
Light output	direct
Voltage [V]	220-240V 50/60Hz
Material	aluminium
Height [mm]	58
Diameter [mm]	245
Ceiling cutout [mm]	200-240
Recess depth [mm]	88
IP protection class	IP44/IP20
Voltage class	protection cl. II
Shock resistance	IK07
Net weight [kg]	0,62
Colour lamp	white
EAN-Number	8016535144548
Lifetime [h]	55 000 L80 B20
Energy efficiency cl.	D

LIGHT DISTRIBUTION CURVE



The values are rated values. Power and luminous flux are initially subject to a tolerance of +/- 10%. Colour temperature tolerance: +/- 150 K. The values apply to an ambient temperature of 25°C unless otherwise specified.