

ENERGY

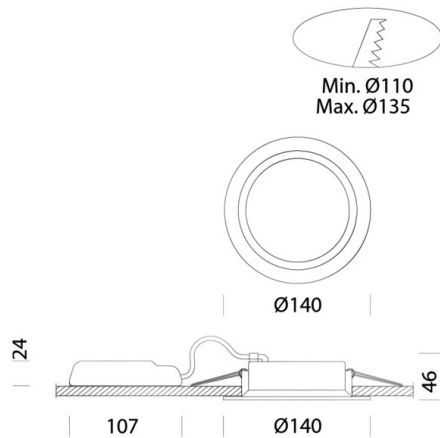
121-2217231400

ENERGY 2130 RECESSED DOWNLIGHT made of aluminium, white, light output direct, with converter, max. 250/350/400mA, dimmability: not dimmable, IP44 adjustable by means of DIP-SWITCH converter



DIP-SWITCH Einstellungen 121-2217231400				
I out	W tot	Kelvin	Lumen	CRI
250	7	4000K	815	CRI 90
350	10	4000K	1130	CRI 90
400	11	4000K	1279	CRI 90

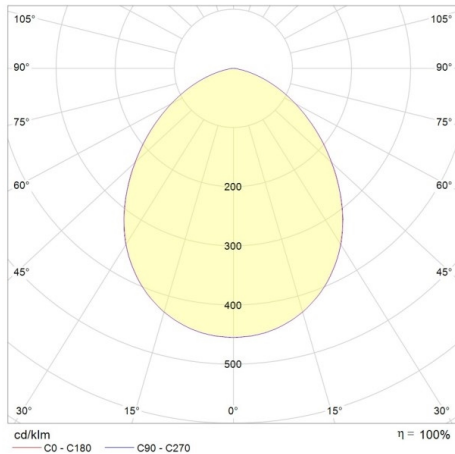
DRAWING



TECHNICAL DETAILS

System perform. [W]	7/10/11
Bulb type	LED
Luminous flux [lm]	839/1164/1317
Current sec. [mA]	250/350/400
Colour temp. [K]	4000K
CRI	>90
Converter	with converter
Dimming	not dimmable
Light output	direct
Voltage [V]	220-240V 50/60Hz
Material	aluminium
Height [mm]	46
Diameter [mm]	140
Ceiling cutout [mm]	110-135
Recess depth [mm]	76
IP protection class	IP44
Voltage class	protection cl. II
Shock resistance	IK07
Net weight [kg]	0,27
Colour lamp	white
EAN-Number	8016535144500
Lifetime [h]	55 000 L80 B20
Energy efficiency cl.	E

LIGHT DISTRIBUTION CURVE



The values are rated values. Power and luminous flux are initially subject to a tolerance of +/- 10%. Colour temperature tolerance: +/- 150 K. The values apply to an ambient temperature of 25°C unless otherwise specified.