

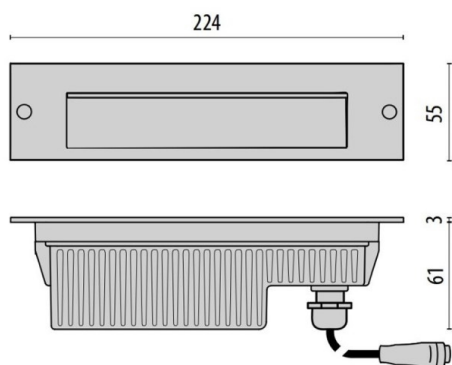
INSERT+ 1

187-304114

INSERT PLUS 1 LED RECESSED WALL LUMINAIRE made of aluminium, white, satined glass beam asymmetric, light output direct, with converter, dimmability: not dimmable, IP65



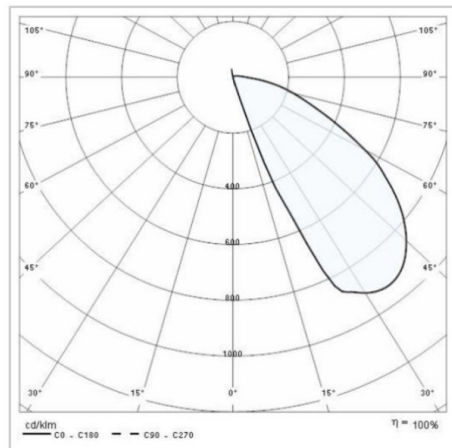
DRAWING



TECHNICAL DETAILS

System perform. [W]	6
Bulb type	LED
Luminous flux [lm]	250
Colour temp. [K]	3000K
CRI	>80
Optics	satined glass
Converter	with converter
Dimming	not dimmable
Light output	direct
Beam angle [°]	asymmetrisch
Voltage [V]	220-240V 50/60Hz
Material	aluminium
Length [mm]	224
Width [mm]	55
Height [mm]	61
Recess depth [mm]	61
IP protection class	IP65
Voltage class	protection cl. I
Shock resistance	IK07
Net weight [kg]	0,46
Colour lamp	white
EAN-Number	8018367630091
Lifetime [h]	60 000
Energy efficiency cl.	D

LIGHT DISTRIBUTION CURVE



The values are rated values. Power and luminous flux are initially subject to a tolerance of +/- 10%. Colour temperature tolerance: +/- 150 K. The values apply to an ambient temperature of 25°C unless otherwise specified.