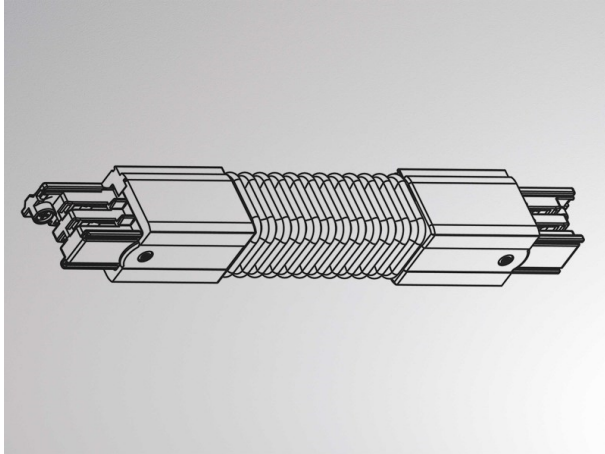


NOA SYSTEM

208-191c6232

flexible L-junction XTSC 623-2, 180° swivelling



DRAWING



TECHNICAL DETAILS

Voltage [V]	220-240V 50/60HZ
Material	synthetic
Length [mm]	223
IP protection class	IP20
Voltage class	protection cl. I
Net weight [kg]	0,18
Colour lamp	black
RAL	9005
EAN-Number	6410014532147

LIGHT DISTRIBUTION CURVE



The values are rated values. Power and luminous flux are initially subject to a tolerance of +/- 10%. Colour temperature tolerance: +/- 150 K. The values apply to an ambient temperature of 25°C unless otherwise specified.