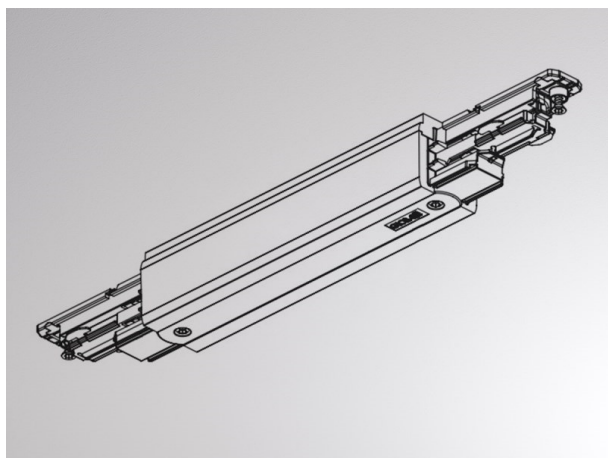


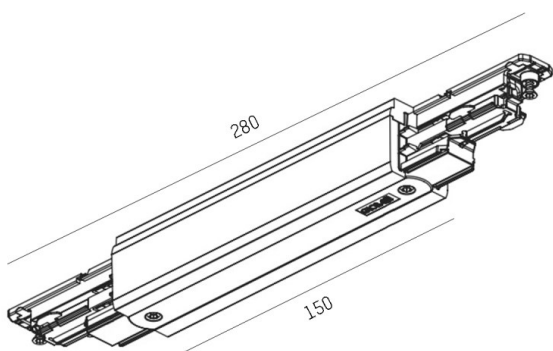
NOA SYSTEM

208-191nc6143

Center power feed XTSC 614-3



DRAWING



TECHNICAL DETAILS

Voltage [V]	220-240V 50/60HZ
Material	synthetic
Length [mm]	150
Width [mm]	31,5
IP protection class	IP20
Voltage class	protection cl. I
Net weight [kg]	0,17
Colour lamp	white
RAL	9016
EAN-Number	6410014501235

LIGHT DISTRIBUTION CURVE



The values are rated values. Power and luminous flux are initially subject to a tolerance of +/- 10%. Colour temperature tolerance: +/- 150 K. The values apply to an ambient temperature of 25°C unless otherwise specified.