

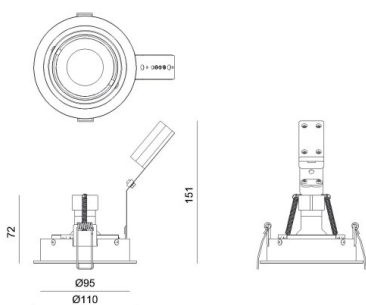
QANA

222-00015

QANA ROUND R RECESSED CEILING LUMINAIRE made of aluminium, white, similar to RAL 9003, light output direct, swiveling 350°, tilting 0-20°, dimmability: see light source, IP20



DRAWING



TECHNICAL DETAILS

Bulb type	QPAR 16 8W
No. of bulb holders	1x
Socket	GU10
Dimming	see light source
Light output	direct
Voltage [V]	220-240V 50Hz
Material	aluminium
Height [mm]	150
Diameter [mm]	110
Ceiling cutout [mm]	98
Recess depth [mm]	180
IP protection class	IP20
Voltage class	protection cl. I
Net weight [kg]	0,28
Colour lamp	white
RAL	9003
EAN-Number	9010870140813

LIGHT DISTRIBUTION CURVE



The values are rated values. Power and luminous flux are initially subject to a tolerance of +/- 10%. Colour temperature tolerance: +/- 150 K. The values apply to an ambient temperature of 25°C unless otherwise specified.