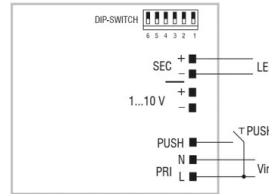


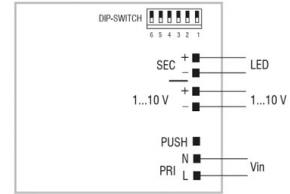
KONVERTER DIMMBAR KONST. STROM

24-151400

Multipower LED driver, 1-10V & PUSH dimmable, class II protection against electric shock for direct or indirect contact, Active Power Factor Corrector, input and output terminal blocks on the same side (wire cross-section up to 1,5 mm²), clamping screws on primary and secondary circuits for cables with diameter: min. 3mm - max. 8mm, Protections: against overheating and short circuits, mains voltage spikes, overloads; ceiling cutout= 55mm, 230V AC, adjustable through DIP-SWITCH: constant current: 13W - 20W / 250mA - 700mA / 53V - 29V DC, constant voltage: 16W - 24V DC / 20W - 48V DC

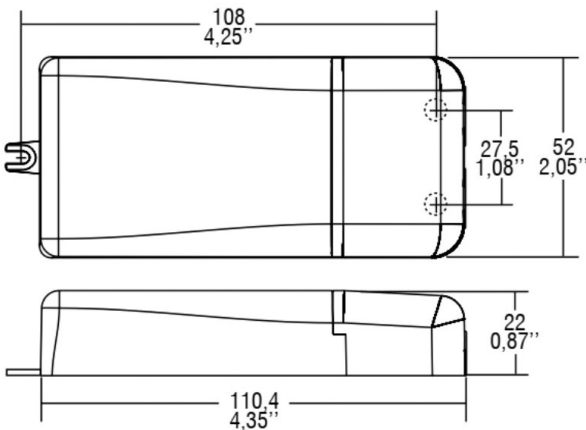


PUSH diagram - Collegamento PUSH



1...10 V diagram - Collegamento 1...10 V

DRAWING



TECHNICAL DETAILS

System perform. [W]	13-20
Converter	with converter
Voltage [V]	220-240V AC/DC
Material	synthetic
Length [mm]	111
Width [mm]	52
Height [mm]	22
IP protection class	IP20
Voltage class	protection cl. II
Net weight [kg]	0,10
Colour lamp	white
EAN-Number	8010703381407
No. of luminaires B16A	50

LIGHT DISTRIBUTION CURVE

DIP-SWITCH Einstellungen: 24-151400		
P out W	V out DC	I out DC
13W	20 ... 53	250mA Konstantstrom
15W	20 ... 52	300mA Konstantstrom
18W	15 ... 50	350mA Konstantstrom
20W	15 ... 50	400mA Konstantstrom
20W	5 ... 45	450mA Konstantstrom
20W	5 ... 40	500mA Konstantstrom
20W	3 ... 37	550mA Konstantstrom
20W	3 ... 34	600mA Konstantstrom
20W	3 ... 31	650mA Konstantstrom
20W	3 ... 29	700mA Konstantstrom
20W	3 ... 27	750mA Konstantstrom
20W	3 ... 25	800mA Konstantstrom
20W	3 ... 24	850mA Konstantstrom
20W	3 ... 23	900mA Konstantstrom
11W	12	900mA max. Konstantspannung
20W	24	900mA max. Konstantspannung



The values are rated values. Power and luminous flux are initially subject to a tolerance of +/- 10%. Colour temperature tolerance: +/- 150 K. The values apply to an ambient temperature of 25°C unless otherwise specified.