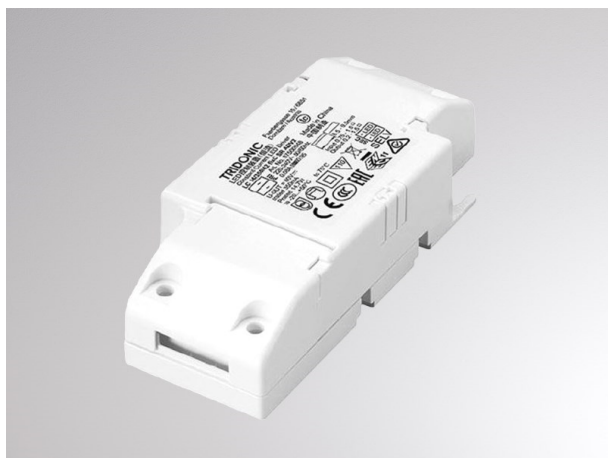
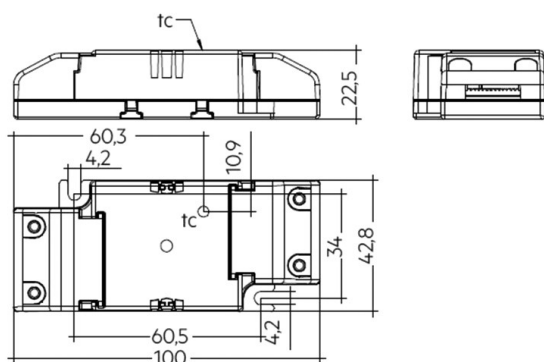


KONVERTER KONST. STROM

248-87500948



DRAWING



TECHNICAL DETAILS

| | |
|------------------------|-------------------|
| System perform. [W] | 14 |
| Current sec. [mA] | 350 |
| Converter | with converter |
| Dimming | not dimmable |
| Voltage [V] | 220-240V 50/60Hz |
| Material | synthetic |
| Length [mm] | 100 |
| Width [mm] | 43 |
| Height [mm] | 23 |
| Ceiling cutout [mm] | 54 |
| IP protection class | IP20 |
| Voltage class | protection cl. II |
| Net weight [kg] | 0,06 |
| Colour lamp | white |
| No. of luminaires B16A | 59 |

LIGHT DISTRIBUTION CURVE



The values are rated values. Power and luminous flux are initially subject to a tolerance of +/- 10%. Colour temperature tolerance: +/- 150 K. The values apply to an ambient temperature of 25°C unless otherwise specified.