

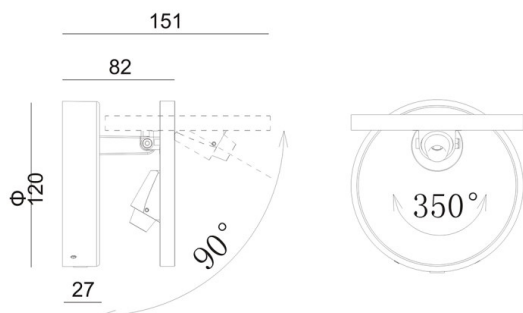
## CLARUS

276-0151090402763tr

CLARUS W SURFACE MOUNTED WALL LUMINAIRE made of aluminium, black gold, similar to RAL 9005/1036, beam 40°, light output direct / indirect, swiveling 350°, tilting 90°, with converter, dimmability: not dimmable, IP20



## DRAWING



## LIGHT DISTRIBUTION CURVE

## TECHNICAL DETAILS

System perform. [W]	11
Bulb type	LED
Luminous flux [lm]	365
Colour temp. [K]	2700K
CRI	>90
Converter	with converter
Dimming	not dimmable
Light output	direct / indirect
Beam angle [°]	40°
Voltage [V]	220-240V 50/60Hz
Material	aluminium
Height [mm]	82
Diameter [mm]	120
IP protection class	IP20
Voltage class	protection cl. I
Net weight [kg]	0,71
Colour lamp	black gold
RAL	9005/1036
EAN-Number	9008905787423
Lifetime [h]	L80 B10 20 000
Energy efficiency cl.	E



The values are rated values. Power and luminous flux are initially subject to a tolerance of +/- 10%. Colour temperature tolerance: +/- 150 K. The values apply to an ambient temperature of 25°C unless otherwise specified.