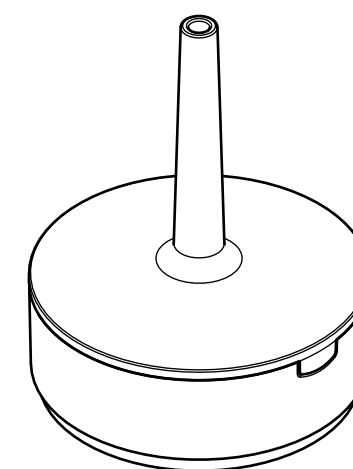
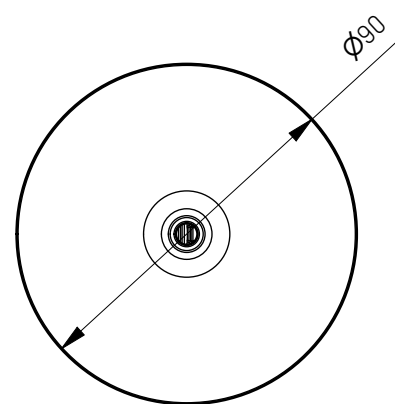
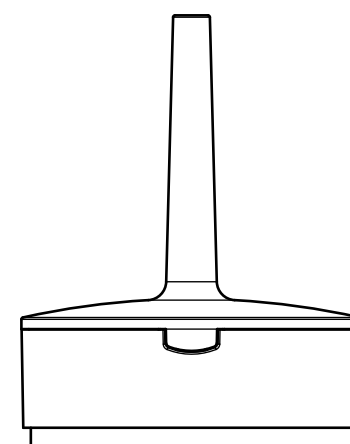
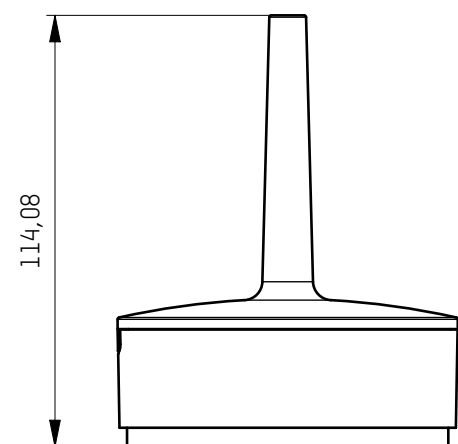


SURFACE KEY

MAGENTA	visible (general) surface
RED	70-120µm (main surface)
GREEN	40-120µm (secondary surface)
CYAN	0-120µm (tertiary surface)
BLUE	only powdermist allowed
ORANGE	free of coating
VIOLETT	high gloss
WITHOUT COLOUR	raw



00.1	drawing updated	17.04.2023	Bresser
00	first release	01.04.2022	Bresser
rev.	description	checked date	checked by

REVISIONS-HISTORY

technical information / manufacturing note		general manufacturing tolerances N/A	drawn by Bresser	MOLTO LUCE®
		material ACC.TECHN. INFO	creation date 01.04.2022	
weight 0,111 kg	surface 74277 mm^2	description SIMPLE	drawing number ENG000025630	
surface finish N/A	surface according ISO 1302	undimensioned edges according DIN ISO 13715	article number 540-0411xxxxxxxxxx	
threads must be free of coating		max. thickness of coating: 120µm	scale 1 : 2	sheet 1 of 1 A3
The unauthorized and / or against the rules use of these documents and possible attachment are not permitted and are judicially pursued				