

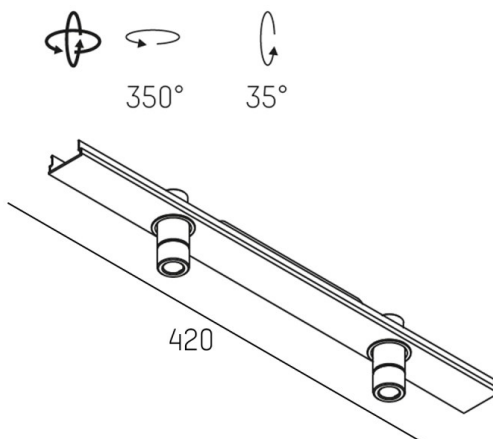
RIDE

577-00201022306

RIDE SPOT 2 SYSTEM INSERT LIGHT INSERT made of die-cast aluminium, black, similar to RAL 9005, high quality glass lens beam 29°, light output direct, swiveling 350°, tilting 35°, with converter, dimmability: not dimmable, through wiring 3x0,75mm², IP20



DRAWING



LIGHT DISTRIBUTION CURVE

TECHNICAL DETAILS

System perform. [W]	7
Bulb type	LED
Luminous flux [lm]	290
Colour temp. [K]	2700K
CRI	>90
Optics	high quality glass lens
Designer	INHOUSE
Converter	with converter
Dimming	not dimmable
Light output	direct
Beam angle [°]	29°
Voltage [V]	220-240V 50/60Hz
Through wiring	3x0,75mm ²
Material	die-cast aluminium
Height [mm]	60
IP protection class	IP20
Voltage class	protection cl. I
Net weight [kg]	0,53
Colour lamp	black
RAL	9005
EAN-Number	9008905677960
Lifetime [h]	L80 B10 50 000
Energy efficiency cl.	G



The values are rated values. Power and luminous flux are initially subject to a tolerance of +/- 10%. Colour temperature tolerance: +/- 150 K. The values apply to an ambient temperature of 25°C unless otherwise specified.