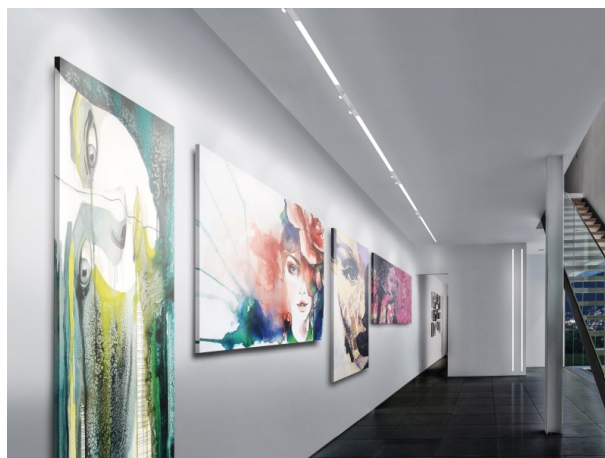


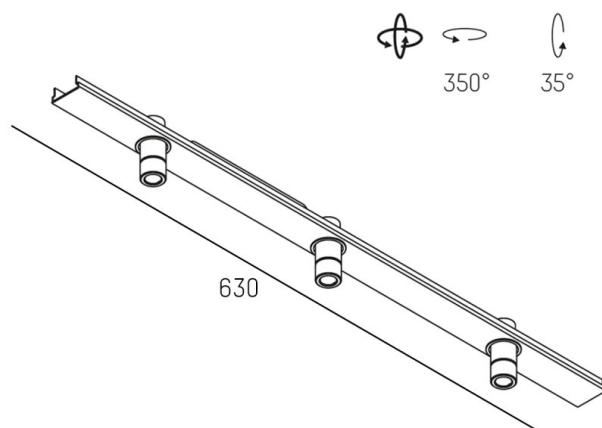
RIDE

577-00202012405

RIDE SPOT 3 SYSTEM INSERT LIGHT INSERT made of die-cast aluminium, white, similar to RAL 9016, high quality glass lens beam 12°, light output direct, swiveling 350°, tilting 35°, with converter, dimmability: not dimmable, through wiring 3x0,75mm², IP20



DRAWING



LIGHT DISTRIBUTION CURVE

TECHNICAL DETAILS

System perform. [W]	9
Bulb type	LED
Luminous flux [lm]	480
Colour temp. [K]	4000K
CRI	>90
Optics	high quality glass lens
Designer	INHOUSE
Converter	with converter
Dimming	not dimmable
Light output	direct
Beam angle [°]	12°
Voltage [V]	220-240V 50/60Hz
Through wiring	3x0,75mm²
Material	die-cast aluminium
Height [mm]	60
IP protection class	IP20
Voltage class	protection cl. I
Net weight [kg]	0,73
Colour lamp	white
RAL	9016
EAN-Number	9008905678646
Lifetime [h]	L80 B10 50 000
Energy efficiency cl.	6



The values are rated values. Power and luminous flux are initially subject to a tolerance of +/- 10%. Colour temperature tolerance: +/- 150 K. The values apply to an ambient temperature of 25°C unless otherwise specified.