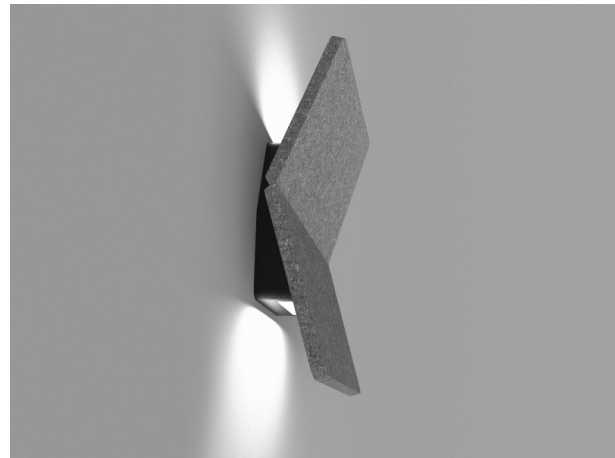


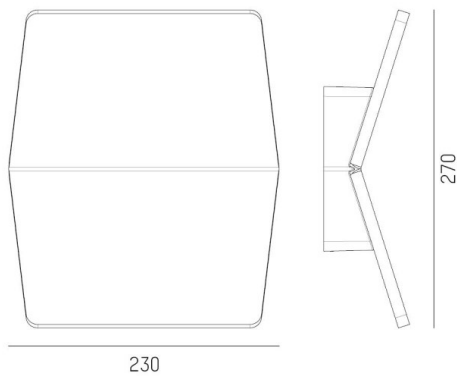
HENDRIK

590-011130200s600

HENDRIK L W SURFACE MOUNTED WALL LUMINAIRE made of aluminium, black, similar to RAL 9005, decor anthrazite, Decorative felt panel made of synthetic polymers OEKO-TEX Standard 100 beam 175°, light output direct / indirect, with converter, dimmability: not dimmable, IP20 Flame retardant according to DIN EN 13501 B-s2, d0



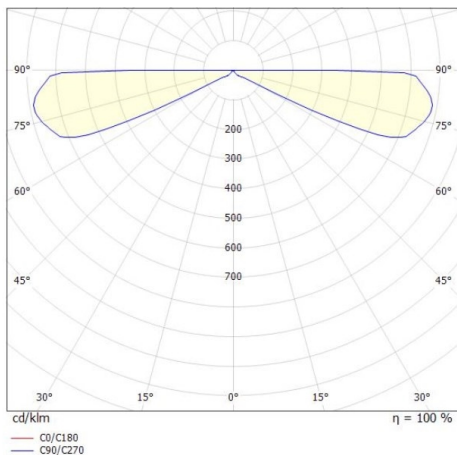
DRAWING



TECHNICAL DETAILS

System perform. [W]	13
Bulb type	LED
Luminous flux [lm]	240
Colour temp. [K]	2700/3000K
CRI	>90
Optics	Decorative felt panel made of synthetic polymers
Designer	INHOUSE
Converter	with converter
Dimming	not dimmable
Light output	direct / indirect
Beam angle [°]	175°
Voltage [V]	220-240V 50/60Hz
Material	aluminium
Length [mm]	73,1
Width [mm]	230
Height [mm]	73
IP protection class	IP20
Voltage class	protection cl. I
Net weight [kg]	0,57
Colour lamp	black
RAL	9005
Colour decor	anthrazite
EAN-Number	9010506466195
Lifetime [h]	50 000 L80 B10
Energy efficiency cl.	E

LIGHT DISTRIBUTION CURVE



The values are rated values. Power and luminous flux are initially subject to a tolerance of +/- 10%. Colour temperature tolerance: +/- 150 K. The values apply to an ambient temperature of 25°C unless otherwise specified.