

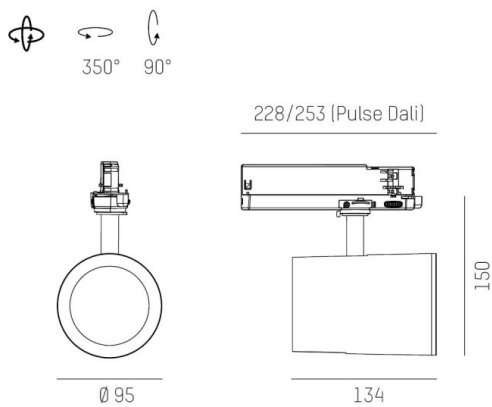
SHOP STAR LEAN

608-00301184906pv2

SHOPSTAR LEAN TRACK TRACK SPOTLIGHT WITH 3 PH ADAPTER made of aluminium, black, similar to RAL 9005, high-efficiently vacuum deposited aluminium reflector without safety glass beam 35°, light output direct, swiveling 350, tilting 90, with converter, max. 700mA, dimmability: Pulse-DALI, adapter/ceiling base black, IP20



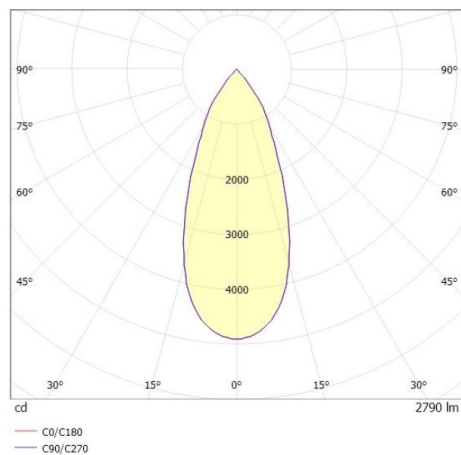
DRAWING



TECHNICAL DETAILS

System perform. [W]	27
Bulb type	LED
Luminous flux [lm]	2790
Current sec. [mA]	700
Colour temp. [K]	3000K
CRI	PREMIUM>90
Optics	aluminium reflector without protection glass
Designer	INHOUSE
Converter	with converter
Light output	direct
Beam angle [°]	35°
Voltage [V]	220-240V 50/60Hz
Material	aluminium
Length [mm]	253
Height [mm]	150
Diameter [mm]	95
IP protection class	IP20
Voltage class	protection cl. II
Net weight [kg]	0,99
Colour lamp	black
RAL	9005
Colour adapter/ceiling base	black
EAN-Number	9010870128422
Lifetime [h]	L80 B10 50 000
Energy efficiency cl.	E
No. of luminaires B16A	50

LIGHT DISTRIBUTION CURVE



The values are rated values. Power and luminous flux are initially subject to a tolerance of +/- 10%. Colour temperature tolerance: +/- 150 K. The values apply to an ambient temperature of 25°C unless otherwise specified.