

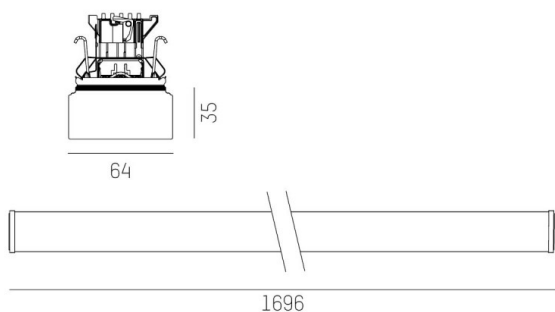
TRAIL

610-1258021319050

TRAIL LIGHT INSERT CUBIC WB MOUNTING RAIL LIGHT INSERT made of aluminium, white, similar to RAL 9016, PMMA diffuser cubic beam 90°, light output direct / indirect, UGR <25, with converter, max. 375mA, dimmability: not dimmable, through wiring 7-polig, IP54



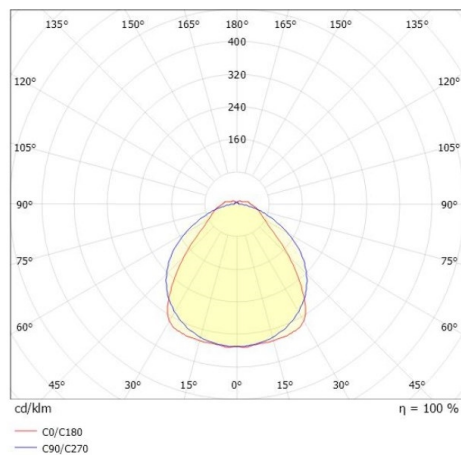
DRAWING



TECHNICAL DETAILS

|                        |                     |
|------------------------|---------------------|
| System perform. [W]    | 55                  |
| Bulb type              | LED                 |
| Luminous flux [lm]     | 8110                |
| Current sec. [mA]      | 375                 |
| Colour temp. [K]       | 3000K               |
| CRI                    | >80                 |
| UGR                    | <25                 |
| Optics                 | PMMA diffuser cubic |
| Designer               | INHOUSE             |
| Converter              | with converter      |
| Dimming                | not dimmable        |
| Light output           | direct / indirect   |
| Beam angle [°]         | 90°                 |
| Voltage [V]            | 220-240V 50/60Hz    |
| Through wiring         | 7-polig             |
| Material               | aluminium           |
| Length [mm]            | 1696                |
| Width [mm]             | 64                  |
| Height [mm]            | 25                  |
| IP protection class    | IP54                |
| Voltage class          | protection cl. I    |
| Shock resistance       | IK02                |
| Net weight [kg]        | 2,82                |
| Colour lamp            | white               |
| RAL                    | 9016                |
| EAN-Number             | 9010506887716       |
| Lifetime [h]           | L90 B10 100 000     |
| Ambient temperature    | -20° bis +50°       |
| Energy efficiency cl.  | C                   |
| No. of luminaires B16A | 24                  |
| IFS suitable           | Yes                 |

LIGHT DISTRIBUTION CURVE



The values are rated values. Power and luminous flux are initially subject to a tolerance of +/- 10%. Colour temperature tolerance: +/- 150 K. The values apply to an ambient temperature of 25°C unless otherwise specified.