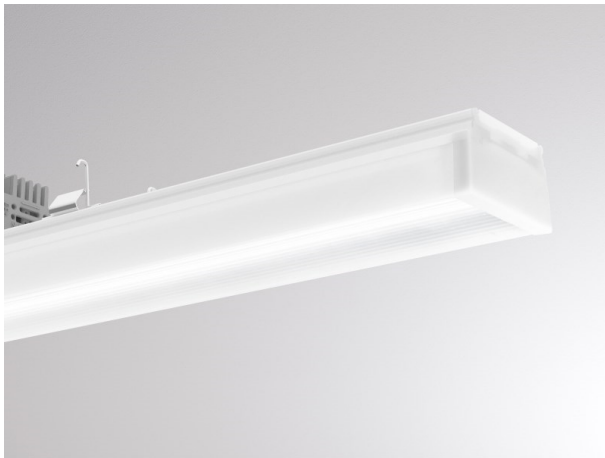


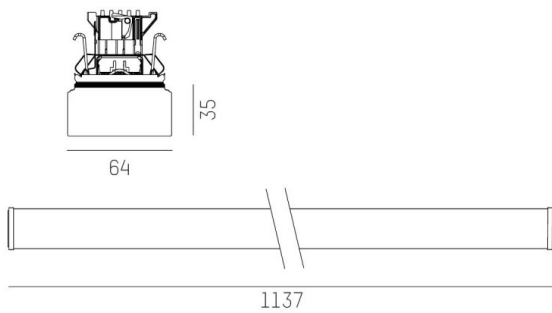
TRAIL

610-1266011519050

TRAIL LIGHT INSERT CUBIC MB UGR MOUNTING RAIL LIGHT INSERT made of aluminium, white, similar to RAL 9016, PMMA diffuser cubic beam 60°, light output direct / indirect, UGR <19, with converter, max. 250mA, dimmability: not dimmable, through wiring 7-polig, IP54



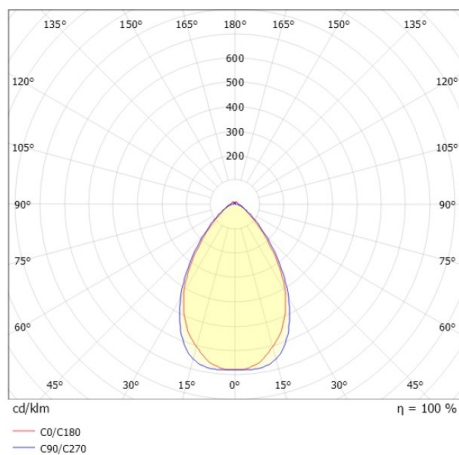
DRAWING



TECHNICAL DETAILS

System perform. [W]	25
Bulb type	LED
Luminous flux [lm]	3950
Current sec. [mA]	250
Colour temp. [K]	3000K
CRI	>80
UGR	<19
Optics	PMMA diffuser cubic
Designer	INHOUSE
Converter	with converter
Dimming	not dimmable
Light output	direct / indirect
Beam angle [°]	60°
Voltage [V]	220-240V 50/60Hz
Through wiring	7-polig
Material	aluminium
Length [mm]	1137
Width [mm]	64
Height [mm]	35
IP protection class	IP54
Voltage class	protection cl. I
Shock resistance	IK02
Net weight [kg]	1,80
Colour lamp	white
RAL	9016
EAN-Number	9010870501164
Lifetime [h]	L90 B10 100 000
Ambient temperature	-20° bis +50°
Energy efficiency cl.	C
No. of luminaires B16A	33
IFS suitable	Yes

LIGHT DISTRIBUTION CURVE



The values are rated values. Power and luminous flux are initially subject to a tolerance of +/- 10%. Colour temperature tolerance: +/- 150 K. The values apply to an ambient temperature of 25°C unless otherwise specified.