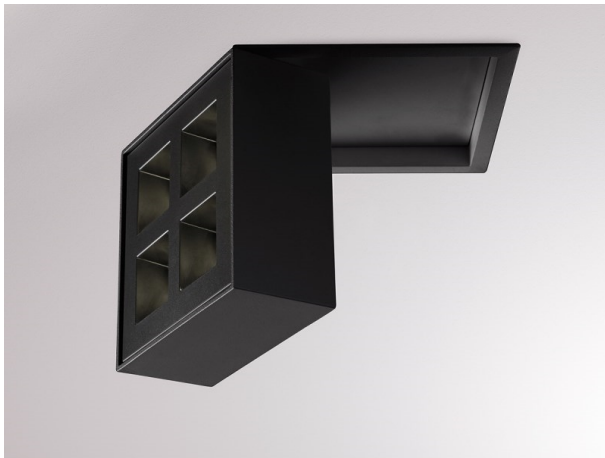


GRID

629-40121466

GRID TURN R RECESSED SPOTLIGHT made of metal, black, similar to RAL 9005, lens optic with anti-glare grid beam 15°, light output direct, UGR <19, swiveling 355°, tilting 90°, with converter, max. 700mA, dimmability: not dimmable, IP20

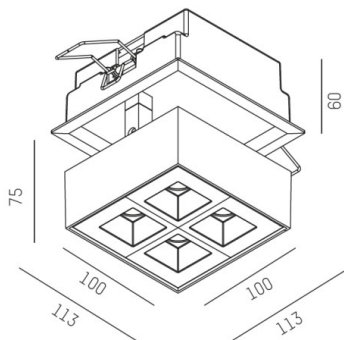


DRAWING

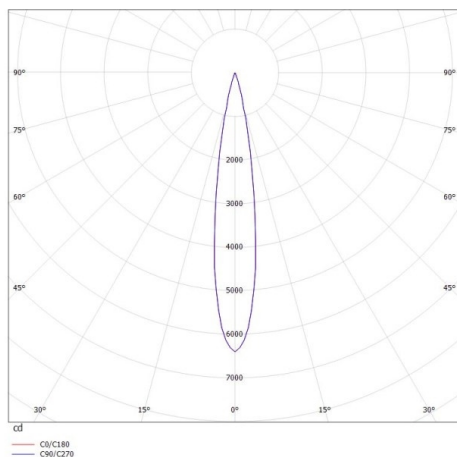
 106 x 106mm ET 90mm

 8-30mm

 355° 90°



LIGHT DISTRIBUTION CURVE



TECHNICAL DETAILS

| | |
|------------------------|---------------------------------------|
| System perform. [W] | 10 |
| Bulb type | LED |
| Luminous flux [lm] | 640 |
| Current sec. [mA] | 700 |
| Colour temp. [K] | 4000K |
| CRI | >90 |
| UGR | <19 |
| Optics | lens optics with glare control louvre |
| Designer | INHOUSE |
| Converter | with converter |
| Dimming | not dimmable |
| Light output | direct |
| Beam angle [°] | 15° |
| Voltage [V] | 220-240V 50/60Hz |
| Material | metal |
| Length [mm] | 195,6 |
| Width [mm] | 100 |
| Height [mm] | 125 |
| Ceiling cutout [mm] | 106x106 |
| Ceiling thickness [mm] | 8-30 |
| Recess depth [mm] | 90 |
| IP protection class | IP20 |
| Voltage class | protection cl. I |
| Net weight [kg] | 0,82 |
| Colour lamp | black |
| RAL | 9005 |
| EAN-Number | 9008905616693 |
| Lifetime [h] | L80 B10 50 000 |
| Energy efficiency cl. | G |



The values are rated values. Power and luminous flux are initially subject to a tolerance of +/- 10%. Colour temperature tolerance: +/- 150 K. The values apply to an ambient temperature of 25°C unless otherwise specified.