


GRID

629-40123466

GRID TURN R RECESSED SPOTLIGHT made of metal, black, similar to RAL 9005, lens optic with anti-glare grid beam 45°x15°, light output direct, UGR <19, swiveling 355°, tilting 90°, with converter, max. 700mA, dimmability: not dimmable, IP20

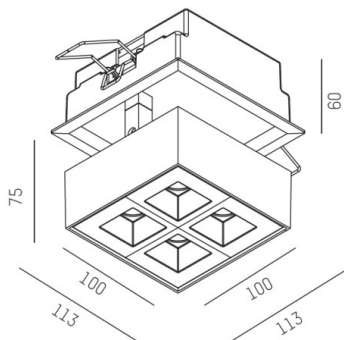


DRAWING

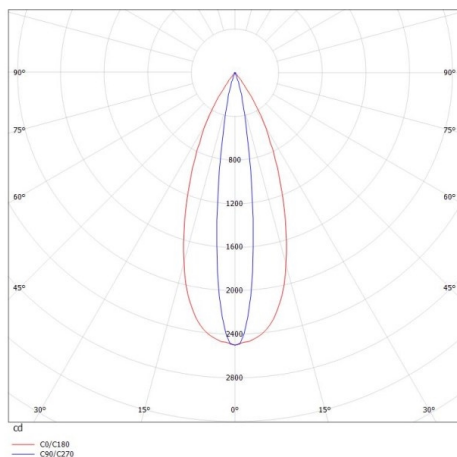
 106 x 106mm ET 90mm

 8-30mm

  
355° 90°



LIGHT DISTRIBUTION CURVE



TECHNICAL DETAILS

System perform. [W]	10
Bulb type	LED
Luminous flux [lm]	570
Current sec. [mA]	700
Colour temp. [K]	4000K
CRI	>90
UGR	<19
Optics	lens optics with glare control louvre
Designer	INHOUSE
Converter	with converter
Dimming	not dimmable
Light output	direct
Beam angle [°]	45°x15°
Voltage [V]	220-240V 50/60Hz
Material	metal
Length [mm]	100
Width [mm]	100
Height [mm]	125
Ceiling cutout [mm]	106x106
Ceiling thickness [mm]	8-30
Recess depth [mm]	90
IP protection class	IP20
Voltage class	protection cl. I
Net weight [kg]	0,82
Colour lamp	black
RAL	9005
EAN-Number	9008905616983
Lifetime [h]	L80 B10 50 000
Energy efficiency cl.	G



The values are rated values. Power and luminous flux are initially subject to a tolerance of +/- 10%. Colour temperature tolerance: +/- 150 K. The values apply to an ambient temperature of 25°C unless otherwise specified.