

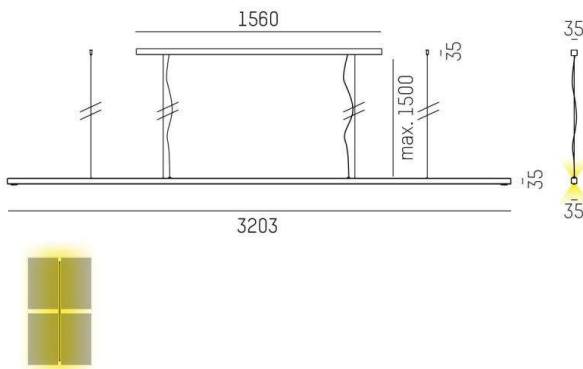
LENS

646-10502052908k

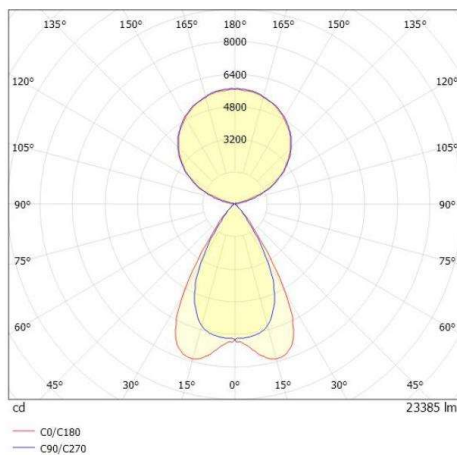
LENS QUAD PDI SUSPENSION made of die-cast aluminium, natural anodised, similar to RAL 9006, lens optic with anti-glare grid beam for quadruple workplace, light output direct / indirect, UGR <16, with converter, max. 525mA, dimmability: motion daylight, with motion detector and daylight control, cable transparent, adapter/ceiling base white matt, pendant length 1500mm, IP20



DRAWING



LIGHT DISTRIBUTION CURVE



TECHNICAL DETAILS

System perform. [W]	200
Bulb type	LED
Luminous flux [lm]	23380
Current sec. [mA]	525
Colour temp. [K]	3000K
CRI	>80
UGR	<16
Optics	lens optics with glare control louvre
Designer	INHOUSE
Converter	with converter
Motion detector	with motion detector and daylight control
Light output	direct / indirect
Beam angle [°]	für Vierfacharbeitsplatz
Voltage [V]	220-240V AC/DC
Material	die-cast aluminium
Length [mm]	3203
Width [mm]	35
Height [mm]	35
Pendant length [mm]	1500
IP protection class	IP20
Voltage class	protection cl. I
Shock resistance	IK05
Net weight [kg]	10,33
Colour lamp	natural anodised
RAL	9006
Colour adapter/ceiling base	white matt
Electric wire	transparent
EAN-Number	9010506806991
Lifetime [h]	L80 B10 50 000
Energy efficiency cl.	E
No. of luminaires B16A	18



The values are rated values. Power and luminous flux are initially subject to a tolerance of +/- 10%. Colour temperature tolerance: +/- 150 K. The values apply to an ambient temperature of 25°C unless otherwise specified.