

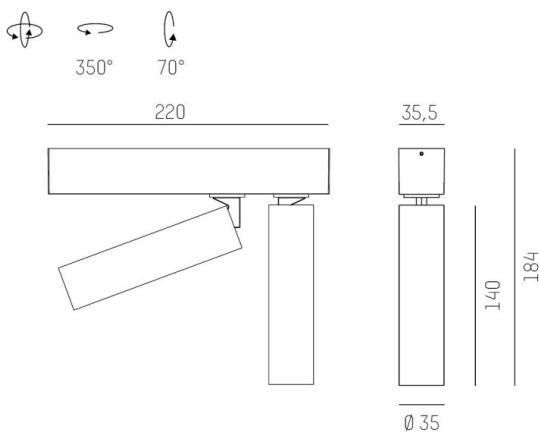
TRIGGA

662-010050529660v1

TRIGGA 2 SD WALL / CEILING LUMINAIRE made of aluminium, black matt, similar to RAL 9005, anti-glare LFO lens due to microfacetted structure beam 55°, light output direct, swiveling 350°, tilting 70°, with converter, max. 500mA, dimmability: not dimmable, IP20



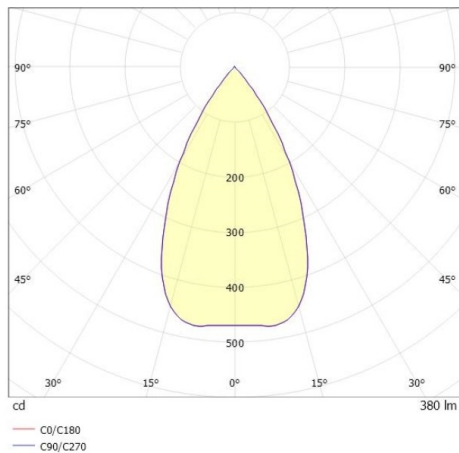
DRAWING



TECHNICAL DETAILS

System perform. [W]	15
Bulb type	LED
Luminous flux [lm]	760
Current sec. [mA]	500
Colour temp. [K]	3000K
CRI	>90
Optics	LFO lens
Designer	Serge Cornelissen
Converter	with converter
Dimming	not dimmable
Light output	direct
Beam angle [°]	55°
Voltage [V]	220-240V 50/60Hz
Material	aluminium
Length [mm]	126,6
Width [mm]	35,5
Height [mm]	184
Diameter [mm]	35
IP protection class	IP20
Voltage class	protection cl. II
Net weight [kg]	1,18
Colour lamp	black matt
RAL	9005
EAN-Number	9010506342956
Lifetime [h]	L80 B10 50 000
Energy efficiency cl.	6
No. of luminaires B16A	27

LIGHT DISTRIBUTION CURVE



The values are rated values. Power and luminous flux are initially subject to a tolerance of +/- 10%. Colour temperature tolerance: +/- 150 K. The values apply to an ambient temperature of 25°C unless otherwise specified.