

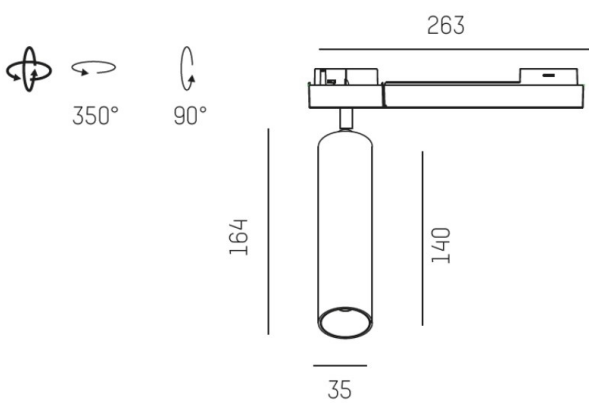
TRIGGA

662-01402022956z

TRIGGA SPOT VOLARE DIMM TRACK SPOTLIGHT WITH 2 PH VOLARE ADAPTER made of aluminium, black matt, similar to RAL 9016, anti-glare LFO lens due to microfaceted structure beam 30°, light output direct, UGR <16, swiveling 350°, tilting 90°, with converter, max. 700mA, dimmability: Zigbee 3.0, adapter/ceiling base white, IP20



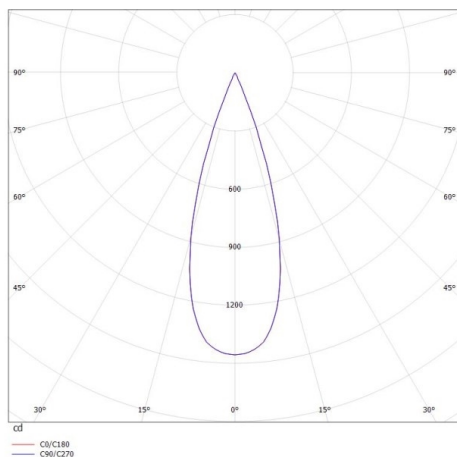
DRAWING



TECHNICAL DETAILS

System perform. [W]	11
Bulb type	LED
Luminous flux [lm]	410
Current sec. [mA]	700
Colour temp. [K]	3000K
CRI	>90
UGR	<16
Optics	LFO lens
Designer	Serge Cornelissen
Converter	with converter
Light output	direct
Beam angle [°]	30°
Voltage [V]	220-240V 50/60Hz
Material	aluminium
Length [mm]	263,7
Height [mm]	164
Diameter [mm]	35
IP protection class	IP20
Voltage class	protection cl. II
Net weight [kg]	0,51
Colour lamp	black matt
RAL	9016
Colour adapter/ceiling base	white
EAN-Number	9008905776403
Lifetime [h]	L80 B10 50 000
Energy efficiency cl.	6
No. of luminaires B16A	27

LIGHT DISTRIBUTION CURVE



The values are rated values. Power and luminous flux are initially subject to a tolerance of +/- 10%. Colour temperature tolerance: +/- 150 K. The values apply to an ambient temperature of 25°C unless otherwise specified.