

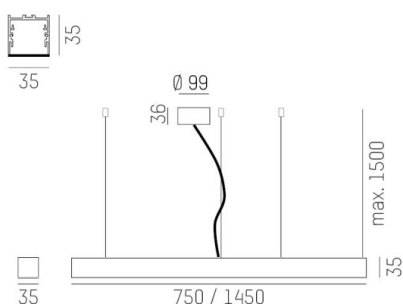
RIDE RING

675-20101102306d

RIDE RING PD SUSPENSION made of die-cast aluminium, black, similar to RAL 9005, sated PMMA diffuser for homogeneous illumination light output direct, with converter, max. 500mA, dimmability: DALI, cable transparent, adapter/ceiling base black matt, pendant length 1500mm, IP20



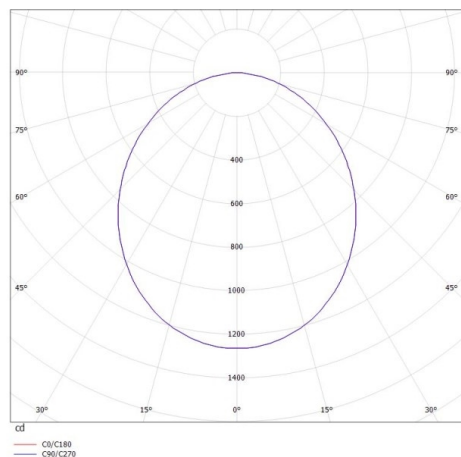
DRAWING



TECHNICAL DETAILS

System perform. [W]	38
Bulb type	LED
Luminous flux [lm]	3300
Current sec. [mA]	500
Colour temp. [K]	2700K
CRI	>90
Optics	PMMA opal diffuser flat
Designer	INHOUSE
Converter	with converter
Light output	direct
Voltage [V]	220-240V 50/60Hz
Material	die-cast aluminium
Length [mm]	780,4
Width [mm]	35
Height [mm]	35
Pendant length [mm]	1500
Diameter [mm]	750
IP protection class	IP20
Voltage class	protection cl. I
Shock resistance	IK03
Net weight [kg]	8,34
Colour lamp	black
RAL	9005
Colour adapter/ceiling base	black matt
Electric wire	transparent
EAN-Number	9008905919039
Lifetime [h]	L80 B10 50 000
Energy efficiency cl.	E
No. of luminaires B16A	25

LIGHT DISTRIBUTION CURVE



The values are rated values. Power and luminous flux are initially subject to a tolerance of +/- 10%. Colour temperature tolerance: +/- 150 K. The values apply to an ambient temperature of 25°C unless otherwise specified.