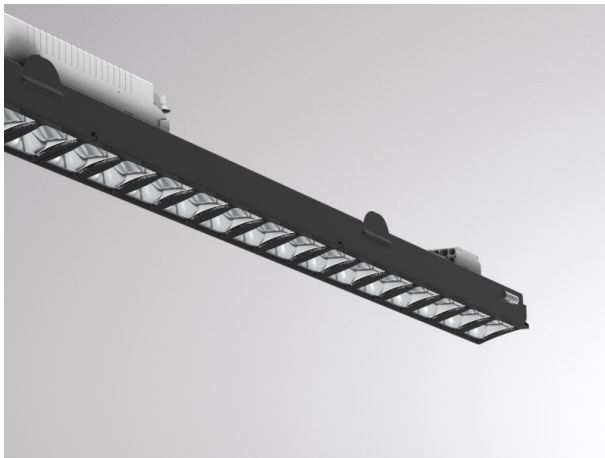


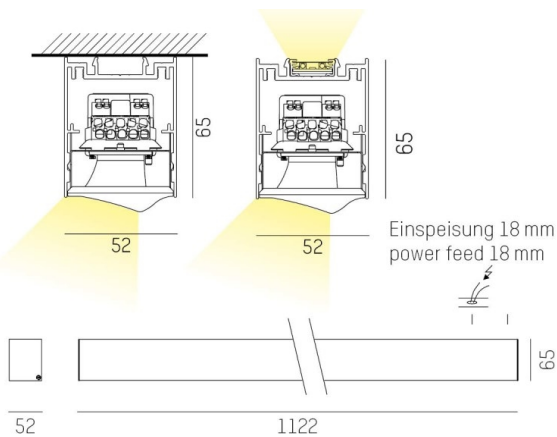
LOG 50 SYSTEM

715-1706120113060

LOG 50 WALLWASHER EINSATZ LIGHT INSERT made of metal, decor black, Lens optics with vacuum deposited synthetic reflector beam asymmetric, light output direct, with converter, max. 700mA, dimmability: not dimmable, through wiring 3x1,5mm², IP20



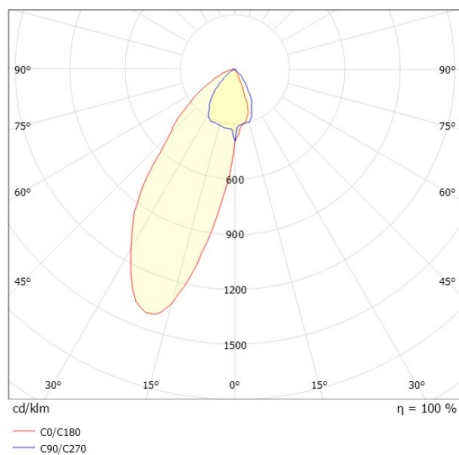
DRAWING



TECHNICAL DETAILS

| | |
|------------------------|---|
| System perform. [W] | 27 |
| Bulb type | LED |
| Luminous flux [lm] | 2680 |
| Current sec. [mA] | 700 |
| Colour temp. [K] | 2700K |
| CRI | >80 |
| Optics | Lens optics with vacuum deposited synthetic reflector |
| Designer | INHOUSE |
| Converter | with converter |
| Dimming | not dimmable |
| Light output | direct |
| Beam angle [°] | asymmetrisch |
| Voltage [V] | 220-240V 50/60Hz |
| Through wiring | 3x1,5mm² |
| Material | metal |
| Height [mm] | 65 |
| IP protection class | IP20 |
| Voltage class | protection cl. I |
| Net weight [kg] | 1,30 |
| Colour decor | black |
| EAN-Number | 9010870553002 |
| Lifetime [h] | L80 B10 50 000 |
| Energy efficiency cl. | C |
| No. of luminaires B16A | 50 |

LIGHT DISTRIBUTION CURVE



The values are rated values. Power and luminous flux are initially subject to a tolerance of +/- 10%. Colour temperature tolerance: +/- 150 K. The values apply to an ambient temperature of 25°C unless otherwise specified.