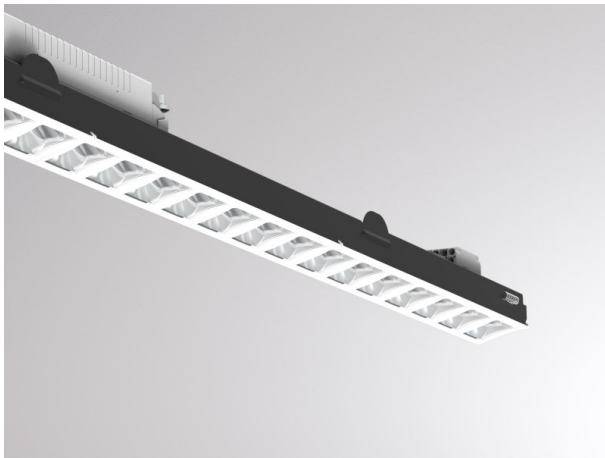


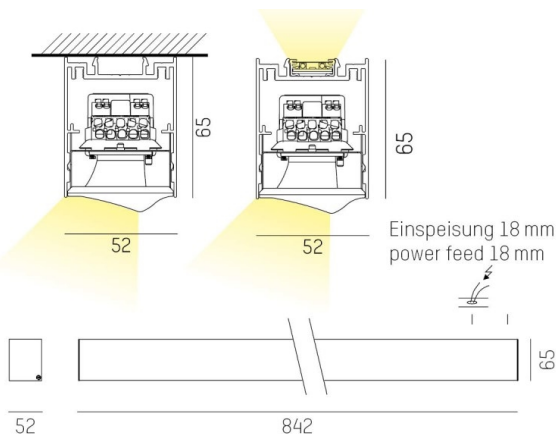
LOG 50 SYSTEM

715-170621011905d

LOG 50 Wallwasher Einsatz D/ID LIGHT INSERT made of metal, decor white, Lens optics with vacuum deposited synthetic reflector beam asymmetric, light output direct / indirect, with converter, max. 700/550mA, dimmability: DALI, through wiring 3x1,5mm<sup>2</sup> + 2x0,75mm<sup>2</sup>, IP20



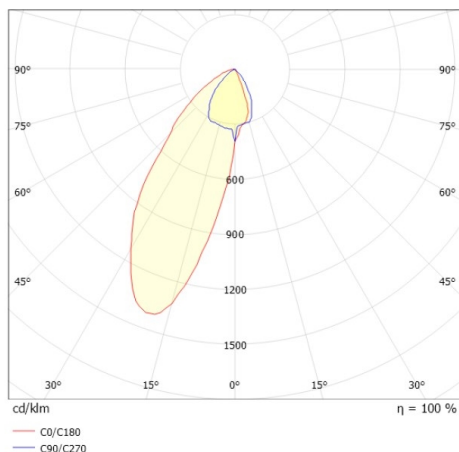
DRAWING



TECHNICAL DETAILS

|                        |   |
|------------------------|---|
| System perform. [W]    | 20  |
| Bulb type              | LED   |
| Luminous flux [lm]     | 2010  |
| Current sec. [mA]      | 700/550   |
| Colour temp. [K]       | 3000K   |
| CRI                    | >80   |
| Optics                 | Lens optics with vacuum deposited synthetic reflector |
| Designer               | INHOUSE   |
| Converter              | with converter  |
| Light output           | direct / indirect                                     |
| Beam angle [°]         | asymmetrisch  |
| Voltage [V]            | 220-240V 50/60Hz                                      |
| Through wiring         | 3x1,5mm <sup>2</sup> + 2x0,75mm <sup>2</sup>          |
| Material               | metal   |
| Length [mm]            | 842   |
| Height [mm]            | 65  |
| IP protection class    | IP20  |
| Voltage class          | protection cl. I                                      |
| Net weight [kg]        | 1,20  |
| Colour decor           | white   |
| EAN-Number             | 9010870551664   |
| Lifetime [h]           | L80 B10 50 000  |
| Energy efficiency cl.  | C   |
| No. of luminaires B16A | 25  |

LIGHT DISTRIBUTION CURVE



The values are rated values. Power and luminous flux are initially subject to a tolerance of +/- 10%. Colour temperature tolerance: +/- 150 K. The values apply to an ambient temperature of 25°C unless otherwise specified.