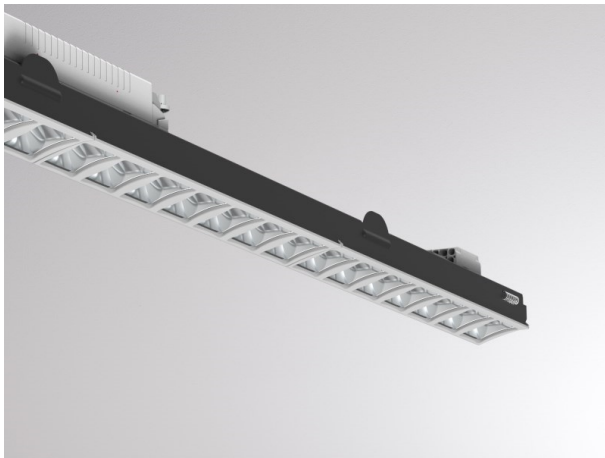


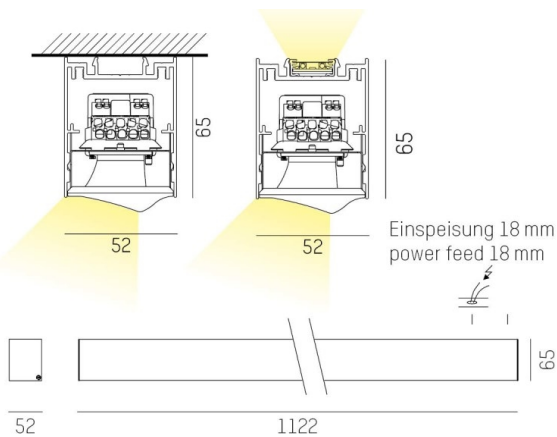
LOG 50 SYSTEM

715-170622011404d

LOG 50 Wallwasher Einsatz D/ID LIGHT INSERT made of metal, decor grey, Lens optics with vacuum deposited synthetic reflector beam asymmetric, light output direct / indirect, with converter, max. 700/550mA, dimmability: DALI, through wiring 3x1,5mm² + 2x0,75mm², IP20



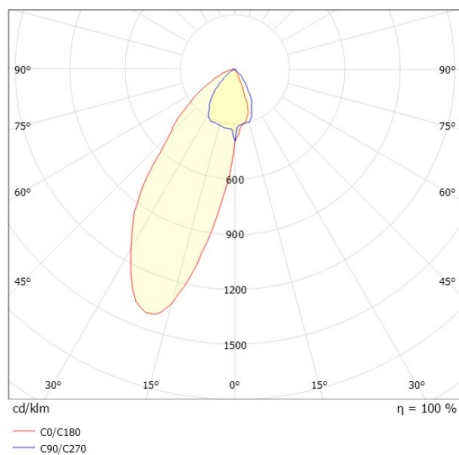
DRAWING



TECHNICAL DETAILS

| | |
|------------------------|---|
| System perform. [W] | 27 |
| Bulb type | LED |
| Luminous flux [lm] | 2870 |
| Current sec. [mA] | 700/550 |
| Colour temp. [K] | 4000K |
| CRI | >80 |
| Optics | Lens optics with vacuum deposited synthetic reflector |
| Designer | INHOUSE |
| Converter | with converter |
| Light output | direct / indirect |
| Beam angle [°] | asymmetrisch |
| Voltage [V] | 220-240V 50/60Hz |
| Through wiring | 3x1,5mm ² + 2x0,75mm ² |
| Material | metal |
| Length [mm] | 1122 |
| Height [mm] | 65 |
| IP protection class | IP20 |
| Voltage class | protection cl. I |
| Net weight [kg] | 1,45 |
| Colour decor | grey |
| EAN-Number | 9010870552951 |
| Lifetime [h] | L80 B10 50 000 |
| Energy efficiency cl. | C |
| No. of luminaires B16A | 25 |

LIGHT DISTRIBUTION CURVE



The values are rated values. Power and luminous flux are initially subject to a tolerance of +/- 10%. Colour temperature tolerance: +/- 150 K. The values apply to an ambient temperature of 25°C unless otherwise specified.