

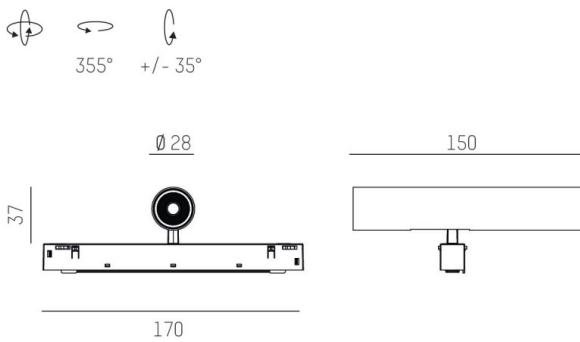
VALO

720-00441034755d

VALO SYSTEM SINGLE SPOT SYSTEM SPOTLIGHT white, similar to RAL 9016,high-efficiently vacuum deposited synthetic reflector beam 38°, light output direct, swiveling 355°, tilting 35°, with converter, max. 350mA, dimmability: DALI, adapter/ceiling base white, IP20



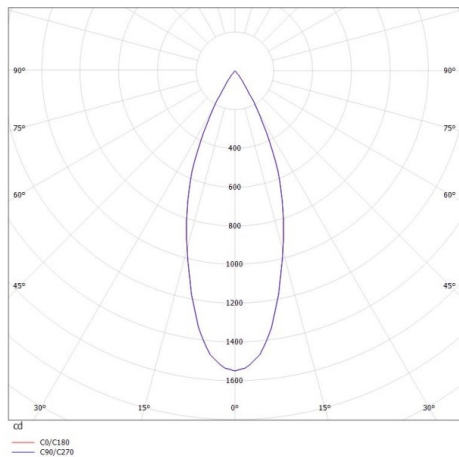
DRAWING



TECHNICAL DETAILS

| | |
|-----------------------------|--------------------------------------|
| System perform. [W] | 7 |
| Bulb type | LED |
| Luminous flux [lm] | 660 |
| Current sec. [mA] | 350 |
| Colour temp. [K] | 3500K |
| CRI | PREMIUM>90 |
| Optics | vacuum deposited synthetic reflector |
| Designer | INHOUSE |
| Converter | with converter |
| Light output | direct |
| Beam angle [°] | 38° |
| Voltage [V] | 48 VDC |
| Length [mm] | 170 |
| Width [mm] | 150 |
| Height [mm] | 37 |
| Diameter [mm] | 28 |
| IP protection class | IP20 |
| Voltage class | protection cl. II |
| Shock resistance | IK04 |
| Net weight [kg] | 0,15 |
| Colour lamp | white |
| RAL | 9016 |
| Colour adapter/ceiling base | white |
| EAN-Number | 9010506239157 |
| Lifetime [h] | L80 B10 50 000 |
| Energy efficiency cl. | D |

LIGHT DISTRIBUTION CURVE



The values are rated values. Power and luminous flux are initially subject to a tolerance of +/- 10%. Colour temperature tolerance: +/- 150 K. The values apply to an ambient temperature of 25°C unless otherwise specified.