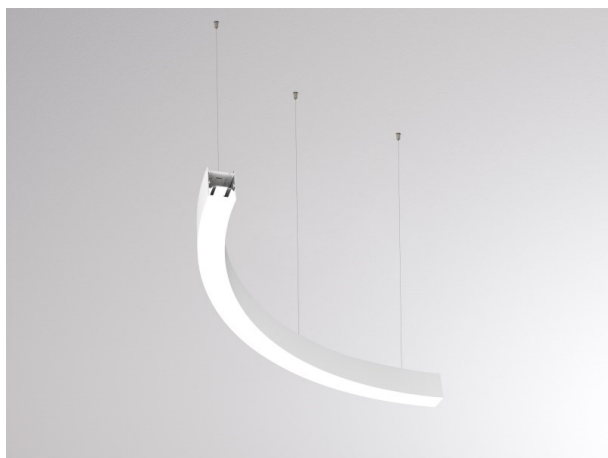


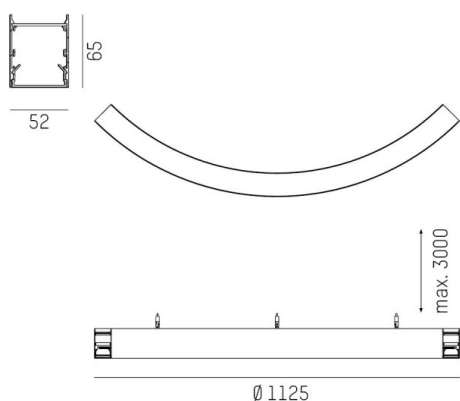
LOG 50 RING

722-0201b011190500d

LOG 50 RING 90° PD SUSPENSION made of aluminium, white, similar to RAL 9016, sated PMMA opal diffuser light output direct, with converter, max. 340mA, dimmability: DALI, through wiring 3x1,5mm<sup>2</sup> + 2x0,75mm<sup>2</sup>, pendant length 3000mm, IP20



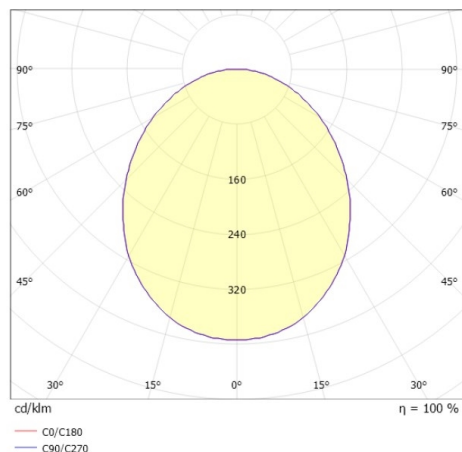
DRAWING



TECHNICAL DETAILS

|                        |  |
|------------------------|--|
| System perform. [W]    | 10   |
| Bulb type              | LED  |
| Luminous flux [lm]     | 1290   |
| Current sec. [mA]      | 340  |
| Colour temp. [K]       | 3000K  |
| CRI                    | >80  |
| Optics                 | PMMA opal diffuser                           |
| Designer               | INHOUSE                                      |
| Converter              | with converter                               |
| Light output           | direct                                       |
| Voltage [V]            | 220-240V 50/60Hz                             |
| Through wiring         | 3x1,5mm <sup>2</sup> + 2x0,75mm <sup>2</sup> |
| Material               | aluminium                                    |
| Length [mm]            | 562,5  |
| Width [mm]             | 52   |
| Height [mm]            | 65   |
| Pendant length [mm]    | 3000   |
| Diameter [mm]          | 1125   |
| IP protection class    | IP20   |
| Voltage class          | protection cl. I                             |
| Shock resistance       | IK03   |
| Net weight [kg]        | 3,33   |
| Colour lamp            | white  |
| RAL                    | 9016   |
| EAN-Number             | 9010870199750                                |
| Lifetime [h]           | L80 B10 50 000                               |
| Energy efficiency cl.  | C  |
| No. of luminaires B16A | 50   |

LIGHT DISTRIBUTION CURVE



The values are rated values. Power and luminous flux are initially subject to a tolerance of +/- 10%. Colour temperature tolerance: +/- 150 K. The values apply to an ambient temperature of 25°C unless otherwise specified.