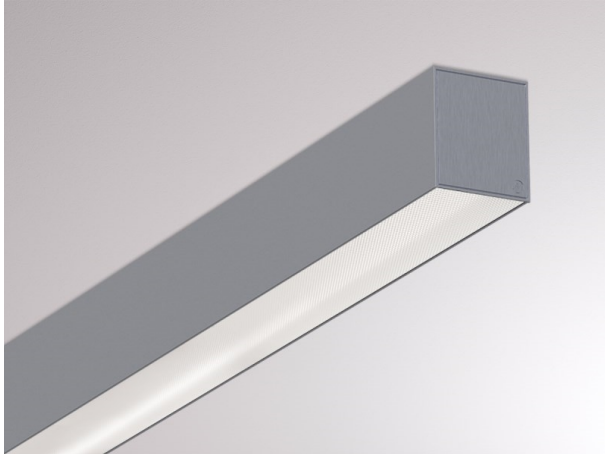


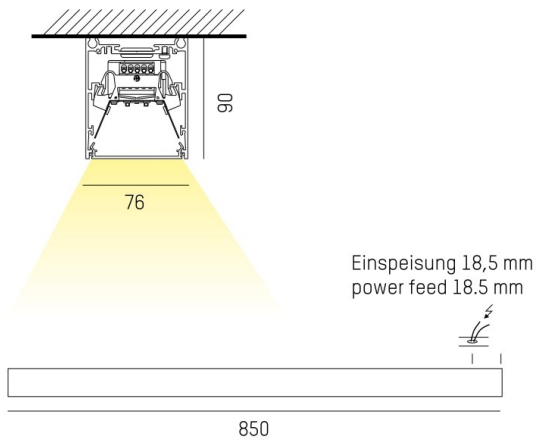
LOG OUT 2.1

728-10103381380d

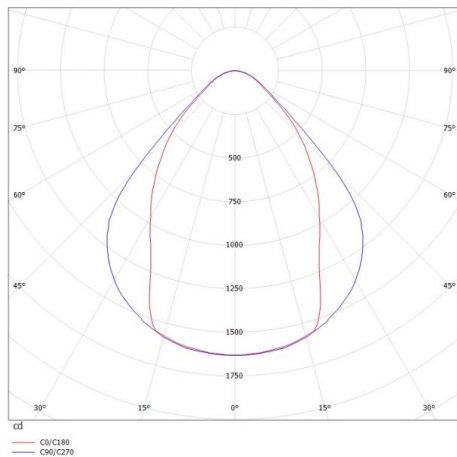
LOG OUT 2.1 SD WALL / CEILING LUMINAIRE made of die-cast aluminium, natural anodised, microprismatic foil light output direct, with converter, dimmability: DALI, through wiring 3x1,5mm² + 2x0,75mm², IP20



DRAWING



LIGHT DISTRIBUTION CURVE



TECHNICAL DETAILS

System perform. [W]	24
Bulb type	LED
Luminous flux [lm]	2800
Colour temp. [K]	2700K
CRI	>80
Optics	microprismatic foil
Designer	INHOUSE
Converter	with converter
Light output	direct
Voltage [V]	220-240V 50/60Hz
Through wiring	3x1,5mm ² + 2x0,75mm ²
Material	die-cast aluminium
Length [mm]	850
Width [mm]	76
Height [mm]	90
IP protection class	IP20
Voltage class	protection cl. I
Net weight [kg]	3,91
Colour lamp	natural anodised
EAN-Number	9010506415957
Lifetime [h]	L80 B10 50 000
Energy efficiency cl.	D
No. of luminaires B16A	50



The values are rated values. Power and luminous flux are initially subject to a tolerance of +/- 10%. Colour temperature tolerance: +/- 150 K. The values apply to an ambient temperature of 25°C unless otherwise specified.