

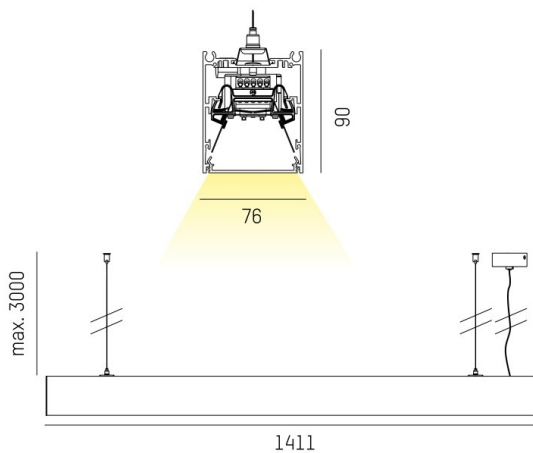
LOG OUT 2.1

728-201053113500

LOG OUT 2.1 PD SUSPENSION made of die-cast aluminium, white, similar to RAL 9016, satined PMMA opal diffuser light output direct, with converter, dimmability: not dimmable, through wiring 3x1,5mm², cable transparent, adapter/ceiling base white, pendant length 3000mm, IP20



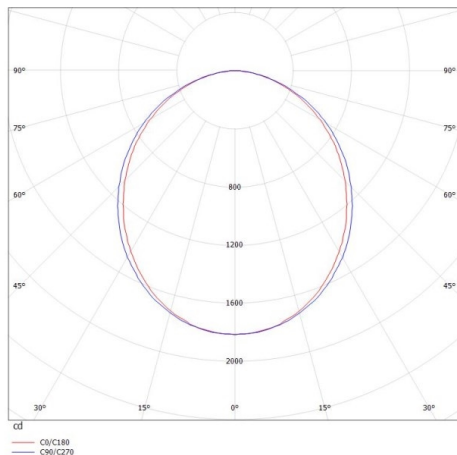
DRAWING



TECHNICAL DETAILS

|                             |                    |
|-----------------------------|--------------------|
| System perform. [W]         | 40                 |
| Bulb type                   | LED                |
| Luminous flux [lm]          | 4780               |
| Colour temp. [K]            | 2700K              |
| CRI                         | >80                |
| Optics                      | PMMA opal diffuser |
| Designer                    | INHOUSE            |
| Converter                   | with converter     |
| Dimming                     | not dimmable       |
| Light output                | direct             |
| Voltage [V]                 | 220-240V 50/60Hz   |
| Through wiring              | 3x1,5mm²           |
| Material                    | die-cast aluminium |
| Length [mm]                 | 1411               |
| Width [mm]                  | 76                 |
| Height [mm]                 | 90                 |
| Pendant length [mm]         | 3000               |
| IP protection class         | IP20               |
| Voltage class               | protection cl. I   |
| Net weight [kg]             | 4,41               |
| Colour lamp                 | white              |
| RAL                         | 9016               |
| Colour adapter/ceiling base | white              |
| Electric wire               | transparent        |
| EAN-Number                  | 9010506141801      |
| Lifetime [h]                | L80 B10 50 000     |
| Energy efficiency cl.       | D                  |
| No. of luminaires B16A      | 50                 |

LIGHT DISTRIBUTION CURVE



The values are rated values. Power and luminous flux are initially subject to a tolerance of +/- 10%. Colour temperature tolerance: +/- 150 K. The values apply to an ambient temperature of 25°C unless otherwise specified.