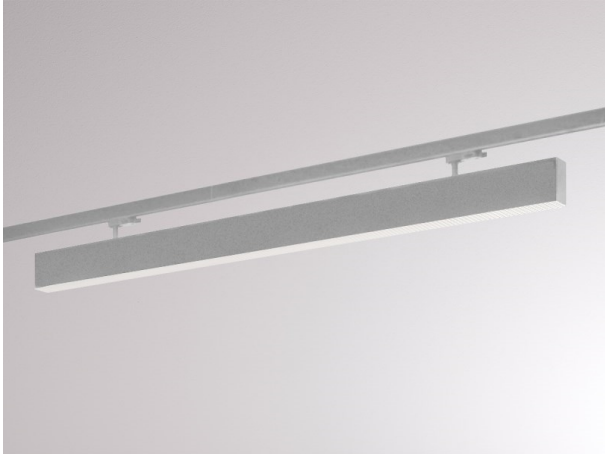


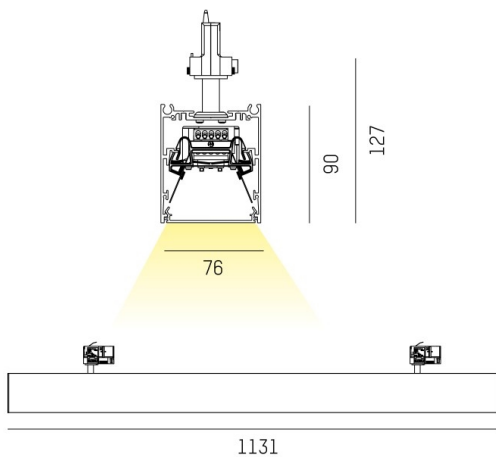
## LOG OUT 2.1

728-50104181480p

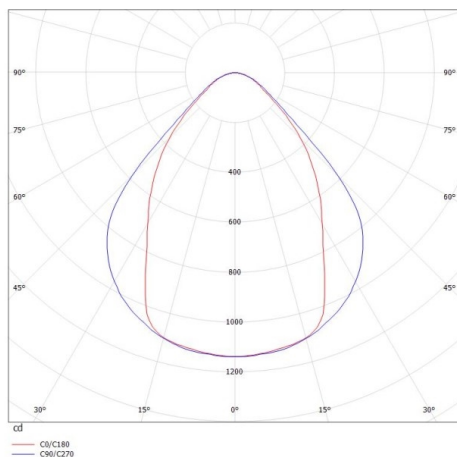
LOG OUT 2.1 TRACK TRACK SPOTLIGHT WITH 3 PH ADAPTER made of die-cast aluminium, natural anodised, microprismatic foil light output direct, UGR <19, with converter, dimmability: Pulse-DALI, through wiring 3x1,5mm<sup>2</sup> + 2x0,75mm<sup>2</sup>, IP20



## DRAWING



## LIGHT DISTRIBUTION CURVE



## TECHNICAL DETAILS

System perform. [W]	16
Bulb type	LED
Luminous flux [lm]	1990
Colour temp. [K]	4000K
CRI	>80
UGR	<19
Optics	microprismatic foil
Designer	INHOUSE
Converter	with converter
Light output	direct
Voltage [V]	220-240V 50/60Hz
Through wiring	3x1,5mm <sup>2</sup> + 2x0,75mm <sup>2</sup>
Material	die-cast aluminium
Length [mm]	1130,5
Width [mm]	76
Height [mm]	127
IP protection class	IP20
Voltage class	protection cl. I
Net weight [kg]	4,91
Colour lamp	natural anodised
EAN-Number	9010506425987
Lifetime [h]	L80 B10 50 000
Energy efficiency cl.	D
No. of luminaires B16A	50



The values are rated values. Power and luminous flux are initially subject to a tolerance of +/- 10%. Colour temperature tolerance: +/- 150 K. The values apply to an ambient temperature of 25°C unless otherwise specified.