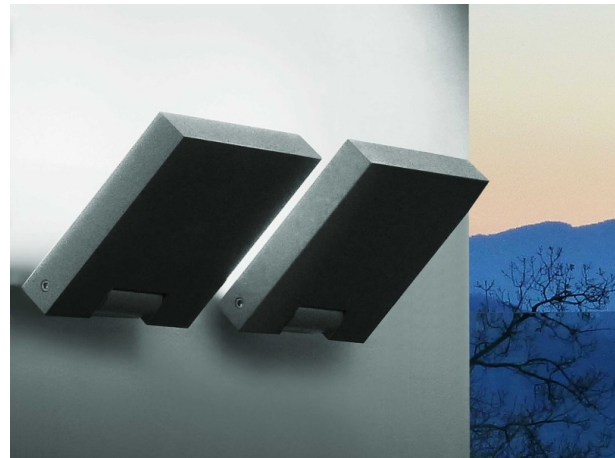


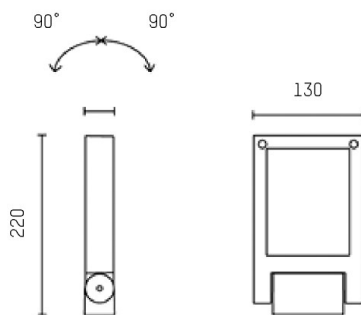
MOVIT

851-s3005w14

MOVIT RECTANGULAR FLOODLIGHTS made of aluminium, grey, transparent glass transparent, beam symmetric, light output direct, tilting 180°, with converter, dimmability: not dimmable, cable black, IP65



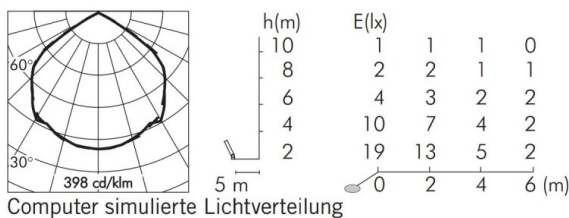
DRAWING



TECHNICAL DETAILS

System perform. [W]	9
Bulb type	LED
Luminous flux [lm]	699
Colour temp. [K]	3000K
CRI	>90
Optics	transparent glass
Converter	with converter
Dimming	not dimmable
Light output	direct
Beam angle [°]	symmetrisch
Voltage [V]	220-240V 50/60Hz
Material	aluminium
Length [mm]	220
Width [mm]	130
Height [mm]	34
IP protection class	IP65
Voltage class	protection cl. I
Shock resistance	IK09
Net weight [kg]	1,59
Colour lamp	grey
Colour of glass/shade	transparent
Electric wire	black
EAN-Number	8033357955015
Lifetime [h]	50 000 L70 B20
Energy efficiency cl.	E

LIGHT DISTRIBUTION CURVE



The values are rated values. Power and luminous flux are initially subject to a tolerance of +/- 10%. Colour temperature tolerance: +/- 150 K. The values apply to an ambient temperature of 25°C unless otherwise specified.